

第十七届全国大学生结构设计竞赛分区赛（安徽） 暨第七届安徽省大学生结构设计竞赛（1号通知） 邀请函

尊敬的高等院校领导、老师：

您好！为激发安徽省内高校大学生的创新意识，培养大学生的工程创新、团队协作和实践能力，加强高校学生之间的交流与合作，并推进高校实践教育教学改革，提高人才培养质量，



8

全

1.

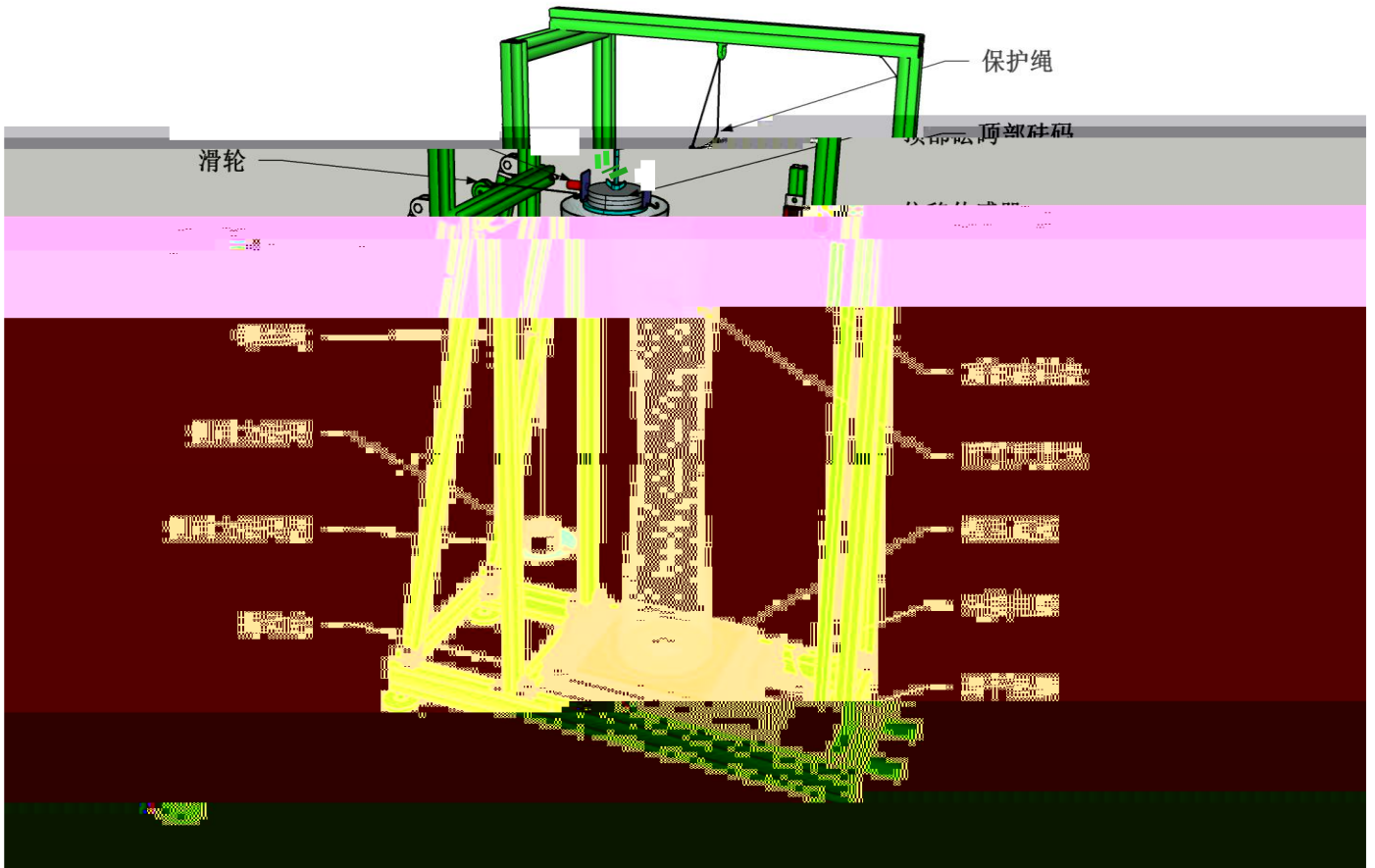
3

423: ò ö
 4243



2.

4



4"

5

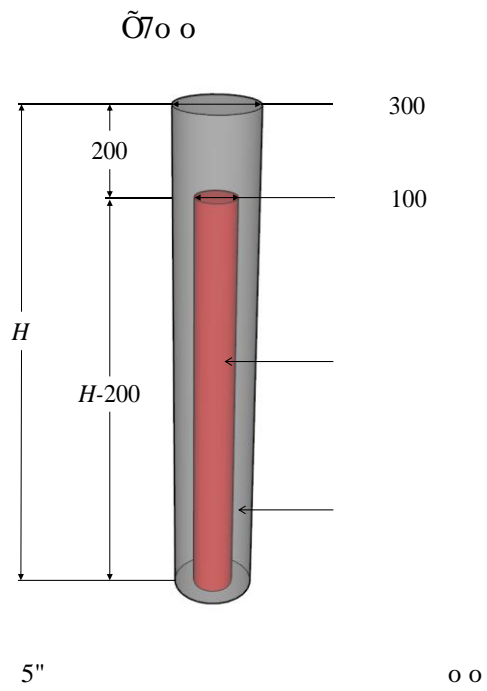
3

4

5220 o

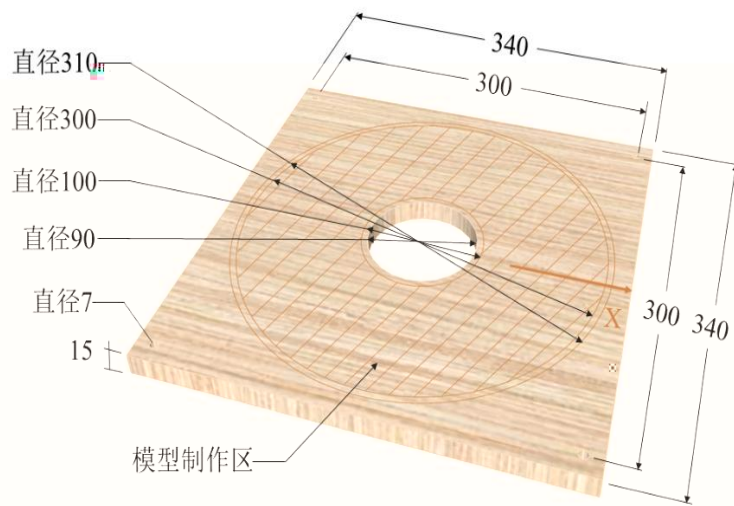
3220 o

4220 o



1

6 3700



6"

00

3.

1

2

1

4

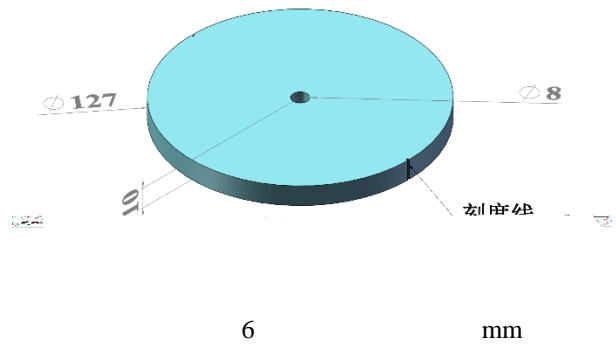
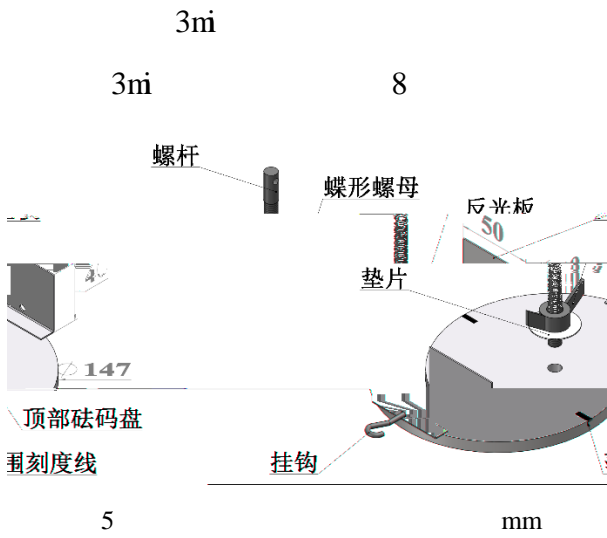
1 1

4

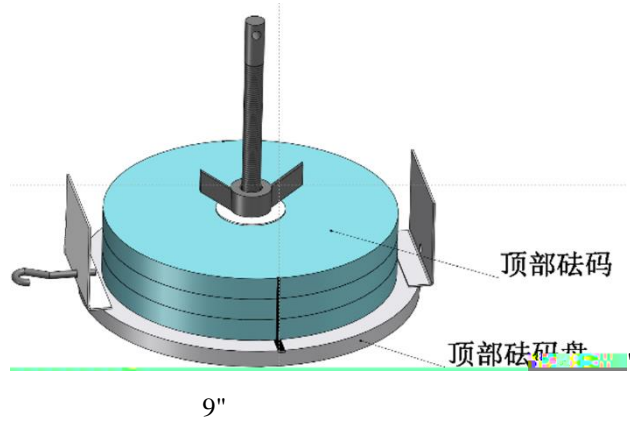
422

1 2

7

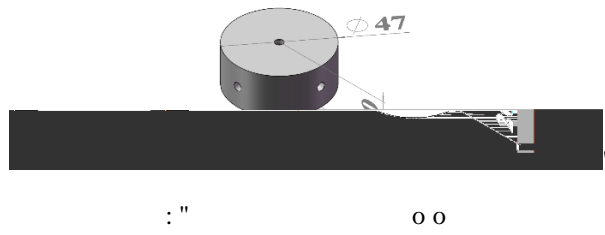


9



13

: 06 06 3200
3 472



14

4 9
- 5200 62200

15

4

4.

34

5.

3

4

3

4

3"

m_1	4kg
m_2	5kg
u_0	25mm
f_1	3Hz
H	1000mm
f_3	4Hz

4"

1	X
2	0 ±1kg ±2kg

6.

4

4

(2)

5

6

(3)

724 52i " 8

(4)

4 "C5" "5o o "

(5)

3

3

m_A

208

3

5

mm			
	1250×430×0.20 (+0.05)		1
	1250×430×0.35 (+0.05)		1
	1250×430×0.50 (+0.05)		1
	930×6×1.0 (+0.5)		20
	930×2×2.0 (+0.5)		20
	930×3×3.0 (+0.5)		20

7

4

5

7

4

4

¢

)

9.

$$m_C (m_C^2 - m_A),$$

Ck

"208

$$M_{0i} = Ck m_C - \text{[REDACTED]}$$

10.

1

3

3

32o o

42u

4

4

32u

Ö 2

5

5

42o o

42u

7

12.

- (1) " 5
- (2) " "90 6
- (3) " "90 9
- (4) " 404
- (5) " 33Ø

(1)

(2)

(3)

(4)

(5)

1

(1)

7

(2)

32

(3)

7

(4)

:2

2

$$u_i \quad 0 \quad 0$$

$$s_i = u_0 - u_i,$$

$$D_{2i} = \begin{cases} 40k_{2i}, & 0 < s_i \leq 5 \\ (60 - 4s_i)k_{2i} & 5 < s_i < 15 \\ 0, & s_i \geq 15 \end{cases}$$

3)

42

$5k^2 m_{3i} / M_{0i}$

2k

m_{3i}

5k

5.0 cz

$5k^2 42k_{3i} / k_{3,\max}$

4)

k

$k^2 \quad 3k \quad 4k \quad 5k$

(5)

k

k

"2"

3

:

3

3

3

3

32

4

3308

3

3

3

3

32

5

3308

7

7

3

4

3

3

3

i

$$S_i = A_i + B_i + C_i + D_i \quad F_i$$

13.

1

RMRO

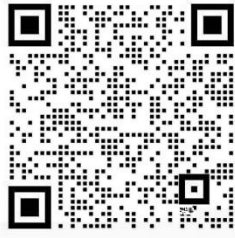
3: 723473278

ö

ö

RMRO

SS 7; 5482332

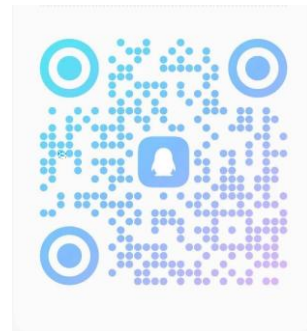
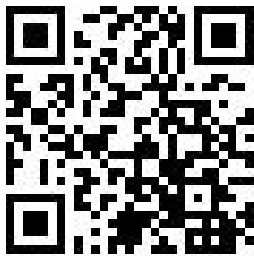


1

3: 8; 3; 77849

4246

SS 6; 6492: 35



11

35; : 8342942

12

DCODQQ

532

"""" 1 352: 4: 28576

1 3 3

724

J U52 52i

j w r u k l k g o 0 c q d c q 0 q o l k g o 0 j w A n ? (k ? 7 7 6 ; 7 2 8 9 4 ; 4 4

"""" 1 3597732: 528"""" S S 639; : : 2

1 4

3



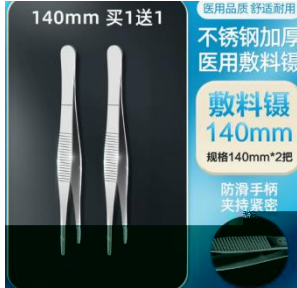


4

7""

1	A3 3.0	2	
2	6mm	1	
3	140mm	1	
4	33cm	1	
5	1m 50cm	1	
6	320 800 1500	1	
7	5	1	
8		1	
9		3	
10		1	
11		1	
12			
13			
14			


6

--	--	--	--	--

1	A3 3.0	19	https://item.taobao.com/item.htm?spm=a1z09.2.0.0.4e2a2e8do67KB6&id=531970388373&_u=b1r43k6lb929	
2	6mm	7	https://detail.tmall.com/item.htm?abbucket=19&id=17896274584&ns=1&skuId=5030786303445&spm=a230r.1.14.25.79ae1550wGZjaG	
3	140mm	12.5	https://detail.tmall.com/item.htm?abbucket=12&id=679108892988&ns=1&spm=a230r.1.14.25.4d5636b59ZbulM&skuId=4876077345893	
4	33cm	15.5	https://detail.tmall.com/item.htm?id=38879201788&spm=a1z09.2.0.0.618f2e8datT17x&_u=c1r43k6lcd6b&skuId=85683895981	
5	1m	32.5	https://detail.tmall.com/item.htm?id=587408384991&spm=a1z09.2.0.0.618f2e8datT17x&_u=c1r43k6lbd87&skuId=4421675443314	

	0.5m	12.9	https://detail.tmall.com/item.htm?_u=hkkor6m2ad4&id=544612451851&spm=a1z09.2.0.0.2a5c2e8dxRktjD&skuId=4792761205956	
6	320	19 10	https://detail.tmall.com/item.htm?id=576380649122&spm=a1z09.2.0.0.618f2e8datT17x&_u=c1r43k6l6433&skuId=3961351130993	
	800	20 10		

10	6	8.5	https://detail.tmall.com/item.htm?_u=hkkor6m3091&id=590144429353&spm=a1z09.2.0.0.635d2e8dGjQdt9&skuId=4212918107950	 <p>平板锉 6寸</p> <p>长度 259MM 宽度 16MM</p>										
11	3	5.5	https://detail.tmall.com/item.htm?abbucket=19&id=692899480676&ns=1&skuId=4937833665806&spm=a230r.1.14.7.2c6b3812dnRDF7	 <p>ABS耐摔款钢卷尺 3M*19</p> <p>加厚加宽防刺手</p> <p>超群 专业人士的首选 3M</p> <table border="1"> <thead> <tr> <th>规格</th> <th>长*宽*高</th> <th>尺带宽度</th> <th>水平精度</th> <th>垂直精度</th> </tr> </thead> <tbody> <tr> <td>3M*19</td> <td>65*30*60MM</td> <td>19MM</td> <td>1.6M</td> <td>2.2M</td> </tr> </tbody> </table>	规格	长*宽*高	尺带宽度	水平精度	垂直精度	3M*19	65*30*60MM	19MM	1.6M	2.2M
规格	长*宽*高	尺带宽度	水平精度	垂直精度										
3M*19	65*30*60MM	19MM	1.6M	2.2M										
12	M4*10 M4*12 M4*16 M4*25	4.94 100 5.42 100 6.40 100 2.41 50	https://m.tb.cn/h.5pbkUUS?tk=ZiOrW6rFwcx	 <p>百端特</p>										
13	(5-25N.m+510mm)	88	https://mobile.yangkeduo.com/goods.html?refer_share_id=pqf898kNbSYPGWllu0u5m1xWTHrOZwu6&refer_share_channel=copy_link&_oak_share_detail_id=3934378434&_x_share_id=0sB8IhRVdfIBe2vFgO68N99emSDPVp79&_oc_trace_mark=199&_oak_share_time=1704385521&pxq_secret_key=ZEUXN00IHV5YY3BIKPNAWVXQT2NO62USJ4N6EMJLKXGGICCKQ66Q&wvx=10&share_uin=6NOD3D2ZALU6JPNDRF7HXZ3F3I_GEXDA&_x_query=											

			<p>%E8%AE%B8%E4%B8%89%E5%A4%9A&page_from=39&refer_share_uin=6NOD3D2ZALU6JPNDRF7HXZ3F3I_GEXDA&_wv=41729&goods_id=560345454082&_oak_share_snapshot_num=4680&_x_org=2</p>	
14	<p>100w +60 +</p>	69.9	<p>https://m.tb.cn/h.5og8EXs?tk=tJxRW6gTICc</p>	

1				
2				
Email				

3

4

2024 3 22

jgsjjs7ahpu@126.com

13721219728

13955365686

15005530684

